

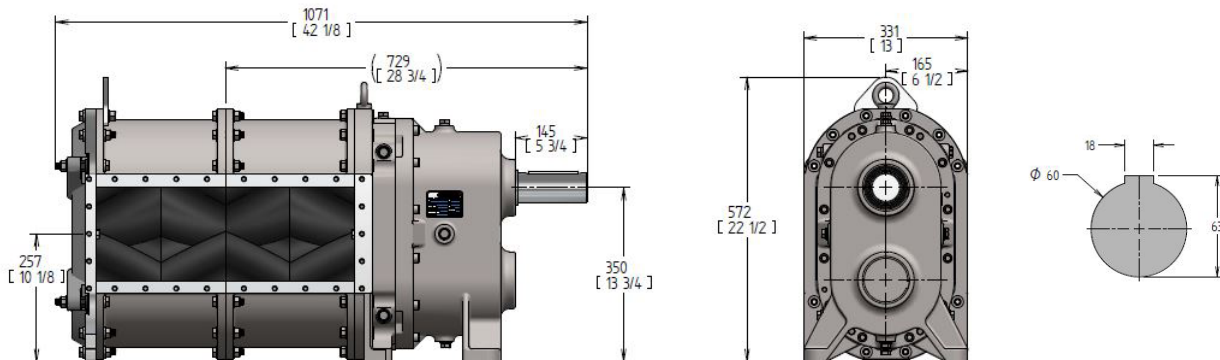
Positive Displacement Rotary Lobe Pumps

SPECIFICATIONS	US	Metric
Rated Capacity:	0-2,655 gpm	0-603 m ³ /h
Displacement (per 100 revolutions):	531 gal (US)	2,002 L
Maximum Continuous Pressure:	30 psi	2.1 bar
Starting Torque:	3,857 in lbf	436 N m
Rated Speed:	0-500 RPM	0-500 RPM
Shaft Diameter:	2.4"	60 mm
Flange Connection Class:	ANSI 16.5-150#	DN - PN 16
Flange Connection Size:	ANSI 10"	DN 200
Weight:	913 lbs	411 kg
Solids Handling		
Spherical Compressible	3"	76 mm
Spherical Hard*	1/8"	3 mm

*Larger hard solids will pass through, but may cause damage.

MODEL >	SL531	CL531	DL531
Service	Sludge, Mud and Slurries*	Chemical/Corrosive	Oil, Gas & Abrasives
WETTED PARTS			
Rotary Lobes			
Elastomer	NBR or HNBR Opt. FKM, EPDM or Eng. Rec.	FKM or HNBR Opt. NBR, EPDM or Eng. Rec.	FKM or HNBR Opt. NBR, EPDM or Eng. Rec.
Lobe Profile	Helix, Opt. Straight	Helix, Opt. Straight	Helix, Opt. Straight
Number of lobe wings	4, Opt. 2	4, Opt. 2	4, Opt. 2
Core	Carbon Steel, Opt. Cast Iron or Eng. Rec.	Carbon Steel or Eng. Rec.	Carbon Steel or Eng. Rec.
Sealing Elastomers			
O-rings	FKM or Engineer Recommendation	FKM or Engineer Recommendation	FKM or Engineer Recommendation
Lip seals	FKM or Engineer Recommendation	FKM or Engineer Recommendation	FKM or Engineer Recommendation
Mechanical Seals			
Type	LARS, Opt. Tabbed LARS or CART	LARS, Opt. Tabbed LARS or CART	LARS, Opt. Tabbed LARS or CART
Mechanical Seal	Duronit Opt. Tungsten Carbide, Silicon Carbide, or Eng. Rec.	Silicon Carbide Opt. Tungsten Carbide or Engineer Rec.	Tungsten Carbide Opt. Silicon Carbide or Engineer Rec.
Seal Holders	Carbon Steel w/ CR coating Opt. 316SS	Stainless Steel Type 316	Duplex Stainless Steel
Wear Plates	AR500 Steel (Brinell 500)	Duplex Stainless Steel	Duplex Stainless Steel
Housing Segments	ASTM A48 Grey Iron rust primed	Duplex Stainless Steel	Duplex Stainless Steel
Flange Ring	ASTM A36 Carbon Steel	Stainless Steel Type 316L	Duplex Stainless Steel
Strain Bolts	Geomet Coated Steel	Stainless Steel A2-A4	Duplex Stainless Steel
Wear Plate Bolts	Stainless Steel A2-A4	Stainless Steel A2-A4	Duplex Stainless Steel
Pressure Disc	Stainless Steel Type 316L	Stainless Steel Type 316L	Duplex Stainless Steel
LIMITED EXPOSURE PARTS			
Quench /Seal Cooling Chamber	ASTM A48 Grey Iron rust primed Opt. Steel or Duplex SS Adapter / A48 Non-wetted	Duplex SS Adapter / A48 Non-wetted Opt. CIT Coated ASTM Grey Iron	Duplex SS Adapter / A48 Non-wetted Opt. CIT Coated ASTM Grey Iron
Pump Cover	ASTM A48 Grey Iron rust primed	Duplex Stainless Steel Opt. CIT coated Grey Iron	Duplex Stainless Steel Opt. CIT coated Grey Iron
NON-WETTED PARTS			
Gears	GMA Class 9 AISI 1045 steel	GMA Class 9 AISI 1045 steel	GMA Class 9 AISI 1045 steel
Gear Housing	ASTM A48 Grey Iron rust primed	ASTM A48 Grey Iron rust primed	ASTM A48 Grey Iron rust primed
Shaft	AISI 4140 Alloy Steel	AISI 4140 Alloy Steel	AISI 4140 Alloy Steel
Pump Assembly/External Bolts	Carbon Steel ISO 898-I	Stainless Steel A2-A4	Stainless Steel A2-A4
PAINTING REQUIREMENTS			
Standard Painting	SSPC/SP6 Sandblast Paint	SSPC/SP6 Sandblast Paint	SSPC/SP6 Sandblast Paint
Color	LobePro Blue	LobePro Silver	LobePro Silver

NOTE: Listed above are standard pump assemblies; lobe styles and materials subject to recommendation by LobePro Engineering. A wide range of optional materials are available for each model. Consult LobePro for further information.
*Consult Factory for application temperature above 80°C (175°F).

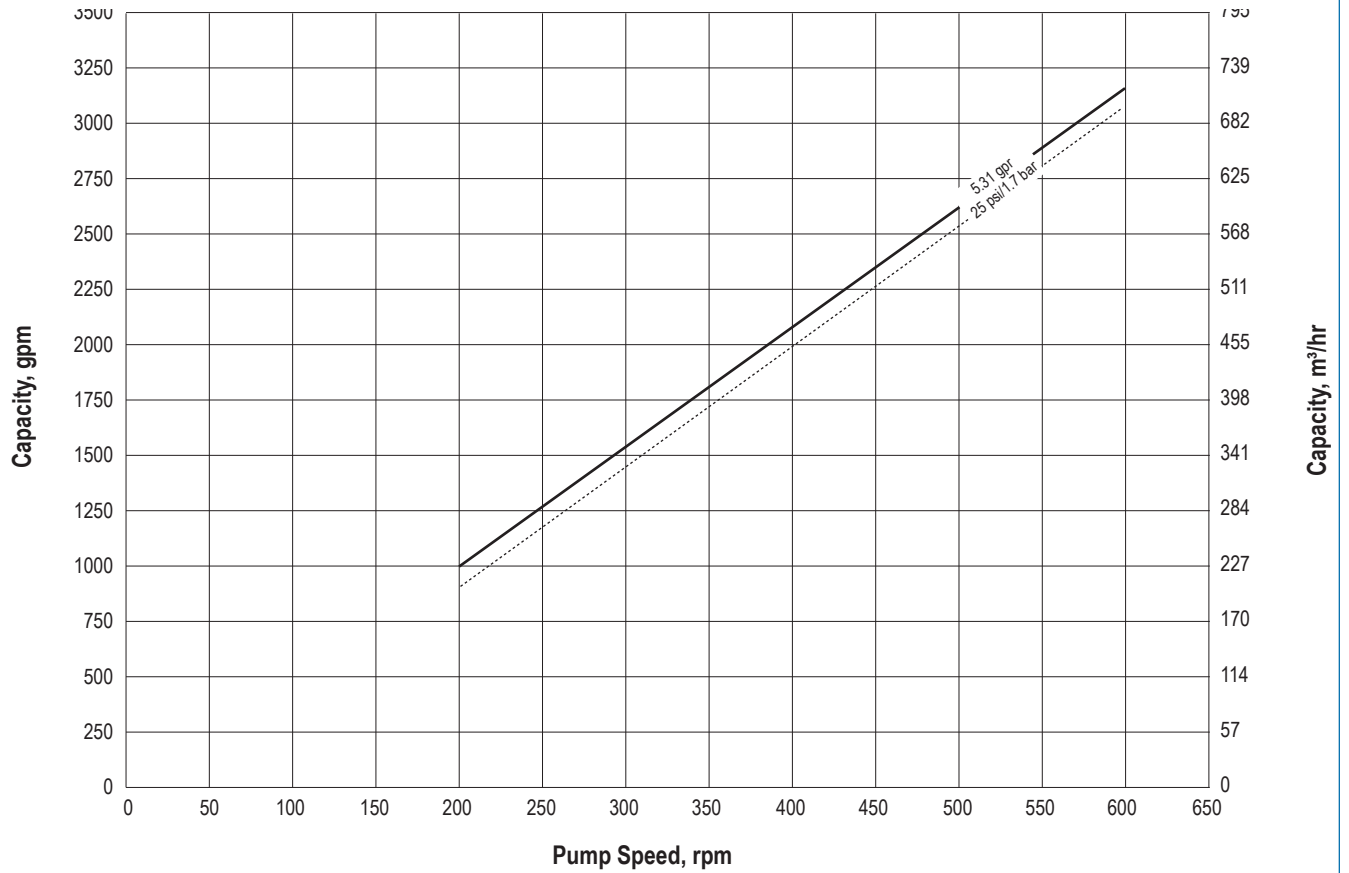


Section 40-75

30 January 2023

L531 CURVES

Performance Curve - NBR Lobes*
 Based on 70°F (21°C) fresh water (1 cp) at Sea Level.
 Output will increase as viscosity of the fluid increases from 1.



*Note: Output from lobes coated with elastomers other than NBR may be lower. Contact Engineering for further information.

Horsepower Requirements

