

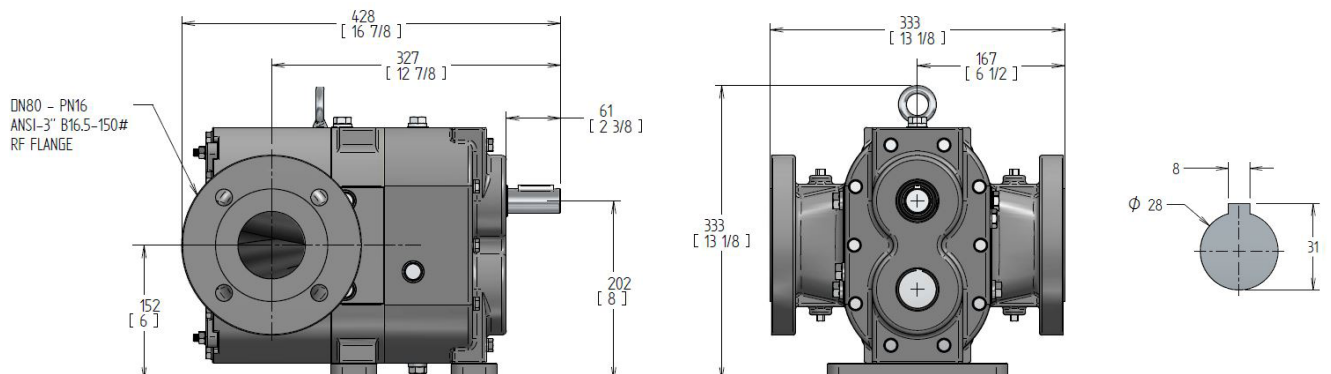
Positive Displacement Rotary Lobe Pumps

SPECIFICATIONS	US	Metric
Rated Capacity:	0-144 gpm	0-32 m ³ /hr
Displacement (per 100 revolutions):	16 gal (US)	60 L
Maximum Continuous Pressure:	100 psi	6.9 bar
Starting Torque:	720 in lbf	127 N m
Rated Speed:	0-900 RPM	0-900 RPM
Shaft Diameter:	1.1"	28 mm
Flange Connection Class:	ANSI 16.5-150#	DN - PN 16
Flange Connection Size:	ANSI 3"	DN 80
Weight:	175 lbs	80 kg
Solids Handling:		
Spherical Compressible	0.75"	19 mm
Spherical Hard*	1/8"	3 mm

* Larger hard solids will pass through but may cause damage.

MODEL >	SS16p	CS16p	DS16p
Service	Sludge, Mud and Slurries*	Chemical/Corrosive	Oil, Gas & Abrasives
WETTED PARTS			
Rotary Lobes			
Elastomer	NBR or HNBR Opt. FKM, EPDM or Eng. Rec.	FKM or HNBR Opt. NBR, EPDM or Eng. Rec.	FKM or HNBR Opt. NBR, EPDM or Eng. Rec.
Lobe Profile	Helix, Opt. Straight	Helix, Opt. Straight	Helix, Opt. Straight
Number of lobe wings	6, Opt. 2	6, Opt. 2	6, Opt. 2
Core	Carbon Steel or Eng. Rec.	Carbon Steel or Eng. Rec.	Carbon Steel or Eng. Rec.
Sealing Elastomers			
O-rings	FKM	FKM or Engineer Recommendation	FKM or Engineer Recommendation
Lip seals	FKM or Engineer Recommendation	FKM or Engineer Recommendation	FKM or Engineer Recommendation
Mechanical Seals			
Type	LARS, Opt. Tabbed LARS or CART	LARS, Opt. Tabbed LARS or CART	LARS, Opt. Tabbed LARS or CART
Mechanical Seal	Duronit Opt. Tungsten Carbide, Silicon Carbide or Eng. Rec.	Silicon Carbide Opt. Tungsten Carbide or Engineer Rec.	Tungsten Carbide Opt. Silicon Carbide or Engineer Rec.
Seal Holders	Carbon Steel w/ Corrosion resistant coating Opt. 316SS	Stainless Steel Type 316	Duplex Stainless Steel
Wear Plates	AR500 Steel (Brinell 500)	Duplex Stainless Steel	Duplex Stainless Steel
Pump Wetend Housing**	ASTM A48 Grey Iron	Duplex CD3Mn Stainless Steel	Duplex CD3Mn Stainless Steel
Strain Bolts	Geomet Coated Steel	Stainless Steel A2-A4	Duplex Stainless Steel
Wear Plate Bolts	Stainless Steel A2-A4	Stainless Steel A2-A4	Duplex Stainless Steel
Pressure Disc	Stainless Steel Type 316L	Stainless Steel Type 316L	Duplex Stainless Steel
LIMITED EXPOSURE PARTS			
Pump Cover	Carbon Steel Opt. Engineering Recommendation	316 Stainless Steel Opt. Engineering Rec.	Duplex Stainless Steel Opt. Engineering Rec.
NON-WETTED PARTS			
Quench /Seal Cooling Chamber	Carbon Steel	Carbon Steel	Carbon Steel
Gears	GMA Class 9 AISI 1045 steel	GMA Class 9 AISI 1045 steel	GMA Class 9 AISI 1045 steel
Gear Housing	Carbon Steel or ASTM A48 Grey Iron rust primed	Carbon Steel or ASTM A48 Grey Iron	Carbon Steel or ASTM A48 Grey Iron
Shaft	AISI 4140 Alloy Steel	AISI 4140 Alloy Steel	AISI 4140 Alloy Steel
Pump Assembly/External Bolts	Carbon Steel ISO 898-1	Stainless Steel A2-A4	Stainless Steel A2-A4
PAINTING REQUIREMENTS			
Standard Painting	SSPC/SP6 Sandblast Paint	SSPC/SP6 Sandblast Paint	SSPC/SP6 Sandblast Paint
Color	LobePro Blue	LobePro Silver	LobePro Silver

NOTE: Listed above are standard pump assemblies; lobe styles and materials subject to recommendation by LobePro Engineering. A wide range of optional materials are available for each model. Consult LobePro for further information.
*Consult Factory for application temperature above 80°C (175°F). **Proform housing segment incorporates housing segment, flange ring, barrier plate and integral suction and discharge flange fittings in one piece. Component Design available in Sc line.



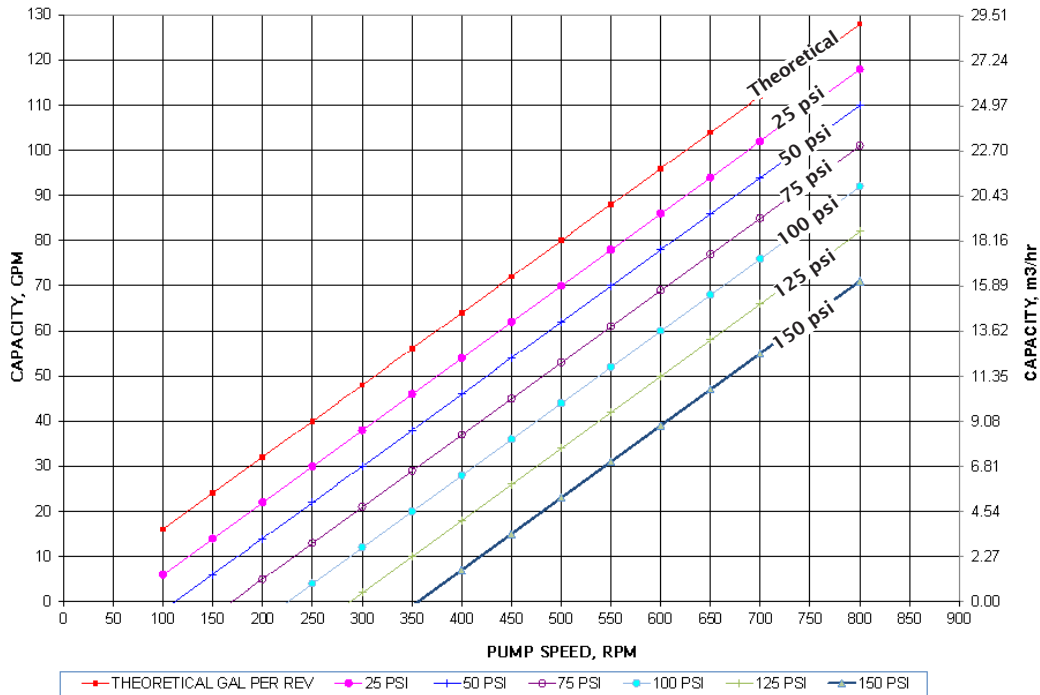
Section 40-07-1

30 January 2023

S16 CURVES

Performance Curve - NBR Lobes*

Based on 70°F (21°C) fresh water (1 cp) at Sea Level.
Output will increase as viscosity of the fluid increases from 1.



*Note: Output from lobes coated with elastomers other than NBR maybe lower. Contact Engineering for further information.

Horsepower Requirements

