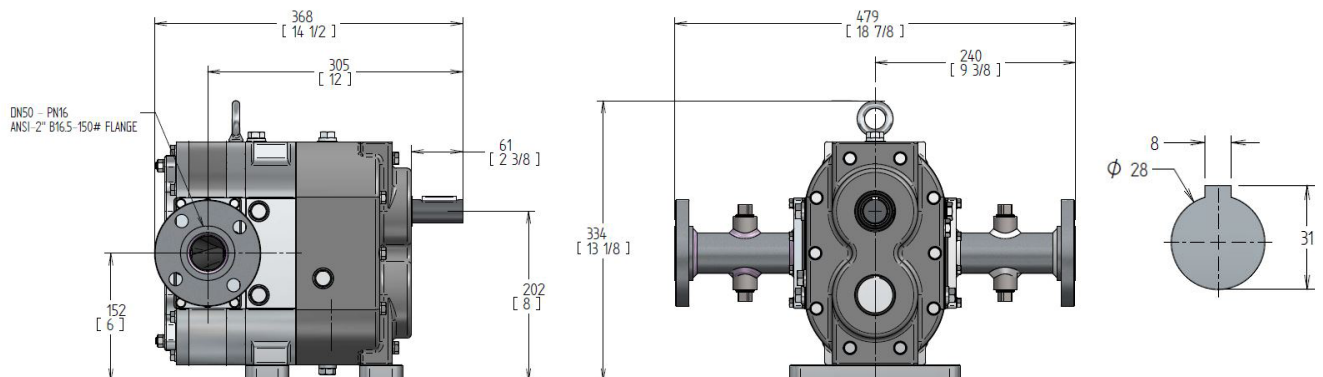


Positive Displacement Rotary Lobe Pumps

SPECIFICATIONS	US	Metric
Rated Capacity:	0-72 gpm	0-16 m ³ /hr
Displacement (per 100 revolutions):	8 gal (US)	30 L
Maximum Continuous Pressure:	175 psi	12.1 bar
Starting Torque:	720 in lbf	127 N m
Rated Speed:	0-900 RPM	0-900 RPM
Shaft Diameter:	1.1"	28 mm
Flange Connection Class:	ANSI 16.5-150#	DN - PN 16
Flange Connection Size:	ANSI 2"	DN 50
Weight:	144 lbs	65 kg
Solids Handling:		
Spherical Compressible	0.75"	19 mm
Spherical Hard*	1/8"	3 mm

* Larger hard solids will pass through but may cause damage.

MODEL >	SS8c	CS8c
Service	Sludge, Mud and Slurries*	Chemical/Corrosive
WETTED PARTS		
Rotary Lobes		
Elastomer	NBR or HNBR Opt. FKM, EPDM or Eng. Rec.	FKM or HNBR Opt. NBR, EPDM or Eng. Rec.
Lobe Profile	Helix, Opt. Straight	Helix, Opt. Straight
Number of lobe wings	6, Opt. 2	6, Opt. 2
Core	Carbon Steel or Eng. Rec.	Carbon Steel or Eng. Rec.
Sealing Elastomers		
O-rings	FKM	FKM or Engineer Recommendation
Lip seals	FKM or Engineer Recommendation	FKM or Engineer Recommendation
Mechanical Seals		
Type	LARS, Opt. Tabbed LARS or CART	LARS, Opt. Tabbed LARS or CART
Mechanical Seal	Duronit Opt. Tungsten Carbide, Silicon Carbide or Engineer Rec.	Silicon Carbide Opt. Tungsten Carbide or Engineer Rec.
Seal Holders	Carbon Steel with Corrosion resistant coating, Opt. 316SS	Stainless Steel Type 316
Wear Plates		
	AR500 Steel (Brinell 500)	Duplex Stainless Steel
Housing Segments		
	Carbon Steel	Duplex Stainless Steel
Flange Ring		
	ASTM A36 Carbon Steel	Stainless Steel Type 316L
Strain Bolts		
	Geomet Coated Steel	Stainless Steel A2-A4
Wear Plate Bolts		
	Stainless Steel A2-A4	Stainless Steel A2-A4
Pressure Disc		
	Stainless Steel Type 316L	Stainless Steel Type 316L
LIMITED EXPOSURE PARTS		
Quench Adaptor/Barrier Plate		
	Carbon Steel	Carbon Steel Opt. Duplex Stainless Steel
Pump Cover		
	Carbon Steel Opt. Engineering Recommendation	316 Stainless Steel Opt. Engineering Recommendation
NON-WETTED PARTS		
Quench /Seal Cooling Chamber		
	Carbon Steel	Carbon Steel
Gears		
	GMA Class 9 AISI 1045 steel	GMA Class 9 AISI 1045 steel
Gear Housing		
	Carbon Steel or ASTM A48 Grey Iron rust primed	Carbon Steel or ASTM A48 Grey Iron
Shaft		
	AISI 4140 Alloy Steel	AISI 4140 Alloy Steel
Pump Assembly/External Bolts		
	Carbon Steel ISO 898-I	Stainless Steel A2-A4
PAINTING REQUIREMENTS		
Standard Painting		
	SSPC/SP6 Sandblast Paint	SSPC/SP6 Sandblast Paint
Color		
	LobePro Blue	LobePro Silver
NOTE: Listed above are standard pump assemblies; lobe styles and materials subject to recommendation by LobePro Engineering. A wide range of optional materials are available for each model. Consult LobePro for further information.		
*Consult Factory for application temperature above 80°C (175°F). One piece pump casing design available in Sp line.		



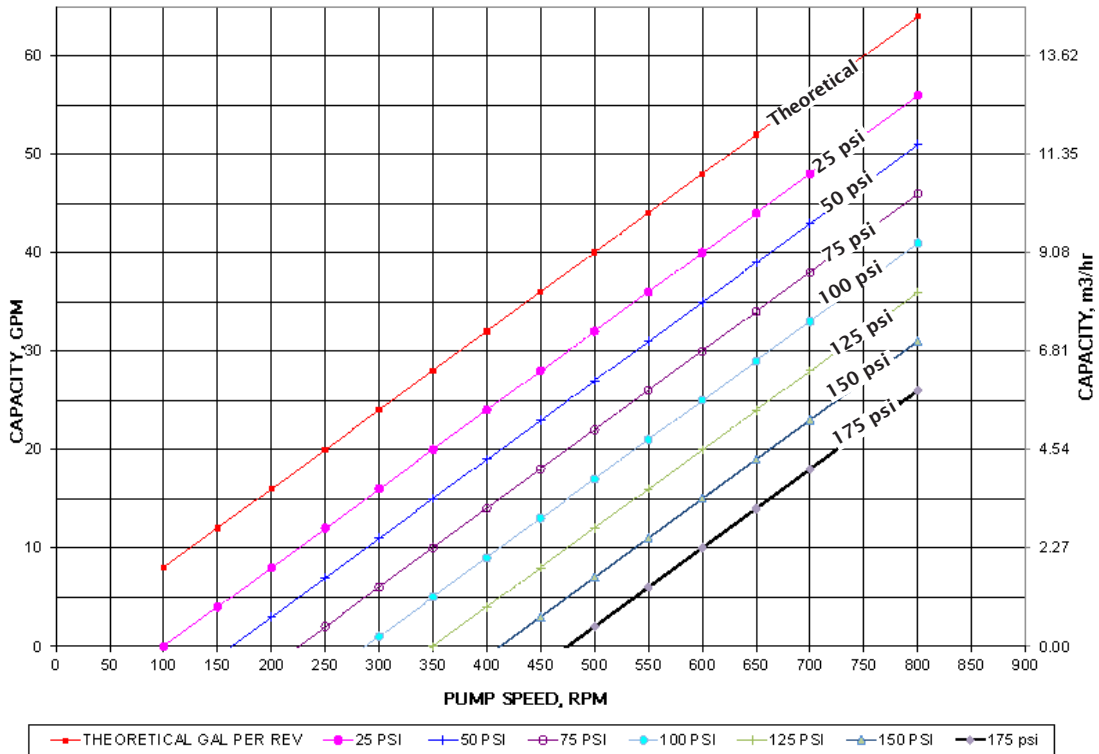
Section 40-04-2

30 January 2023

S8 CURVES

Performance Curve - NBR Lobes*

Based on 70°F (21°C) fresh water (1 cp) at Sea Level.
Output will increase as viscosity of the fluid increases from 1.



*Note: Output from lobes coated with elastomers other than NBR maybe lower. Contact Engineering for further information.

Horsepower Requirements

