

# Introducing the New LobePro S-frame Pump Featuring PROFORM Casing & LARS Seals

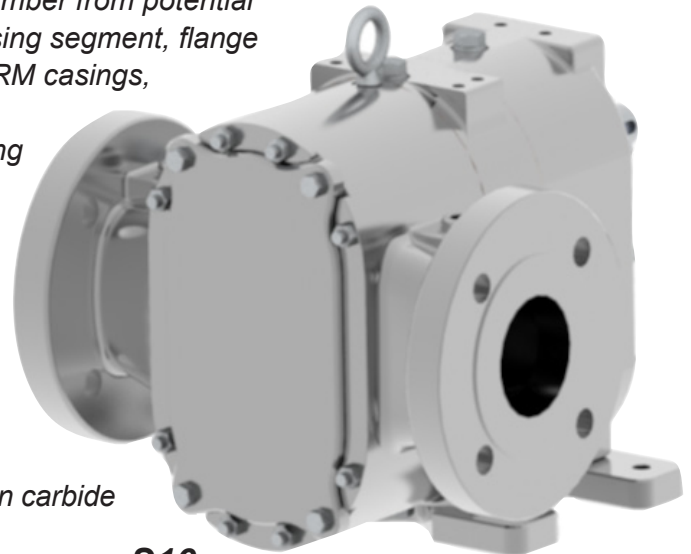
The newly redesign S-frame pump features the **ProForm** Housing with unique barrier plate and innovative LARS Seals.

## PROFORM Housing

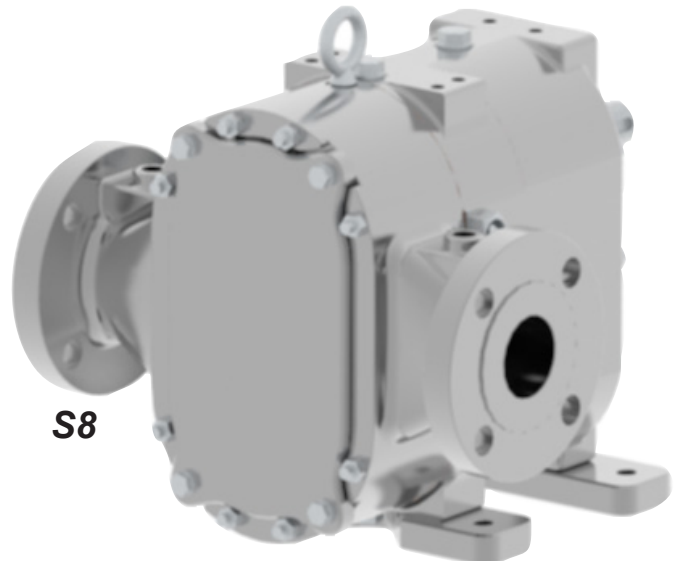
The unique **PROFORM** barrier plate isolates the seal cooling chamber from potential wear and corrosion. This innovative design incorporates the housing segment, flange ring, quench adaptor and transition fittings in one piece. **PROFORM** casings, precision cast and machined in the USA as a single component, improve output, strength and energy consumption while minimizing the risk of leaks.

## LARS Seal

The LARS Seal (LobePro Affordable Rebuildable Seal) is designed to give you the best of both a cartridge and component seal. Our seals are quick and easy to rebuild in place, depending on which components are useable, while reducing repair cost 50-80% compared to installing a new cartridge seal. Seals are available with electroless nickel or corrosive resistant coated steel, 316 stainless steel or 2205 duplex seals holders and duronit, silicon carbide and tungsten carbide seal faces.



S16



S8

### PROFORM Housing Availability Chart

In Stock	S8	S16
Class 30 Grey Iron	✓	✓
CD3Mn Duplex Steel	✓	✓
Hastelloy "C"	Special order	✓
By Special Order	S8	S16
Hastelloy - Other	✓	✓
Monel	✓	✓
Martensitic SS	✓	✓
Austenitic SS	✓	✓

\* Extend Lead-time required for special orders.

Note: All S-frame pumps are built with innovative LARS seals.



# LOBEPRO

ROTARY PUMPS

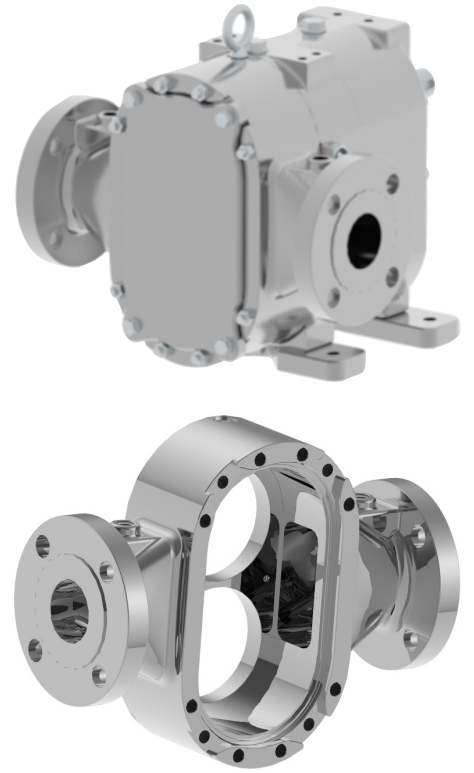
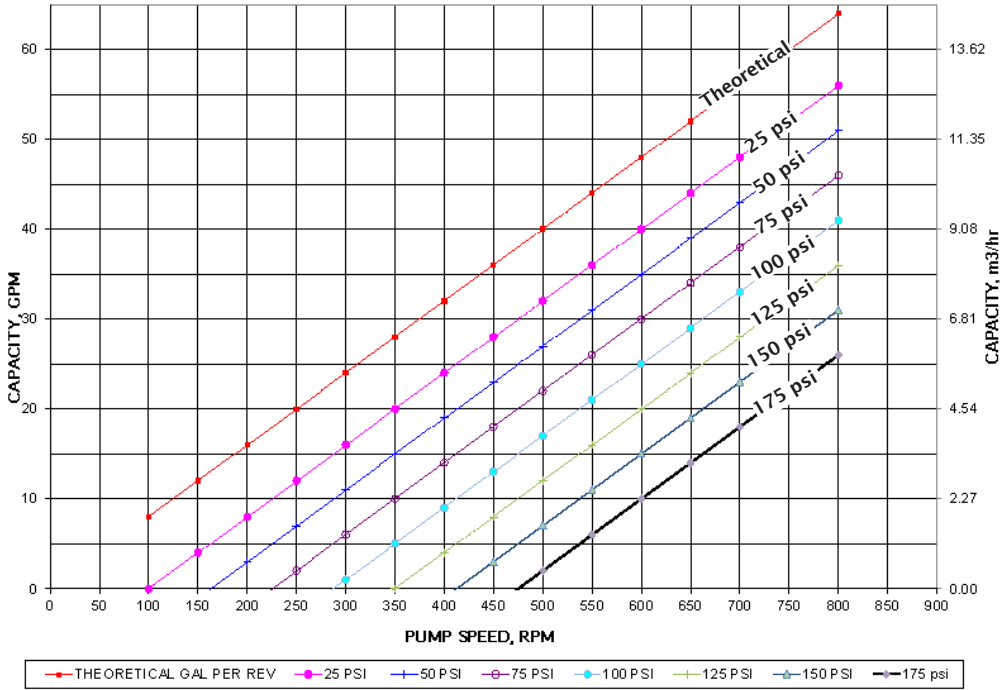
2610 Sidney Lanier Drive  
Brunswick, Georgia 31525  
1-888-997-PUMP Toll Free  
(912) 466-0304 Telephone  
(912) 466-0086 Fax  
[www.lobepro.com](http://www.lobepro.com)

[www.lobepro.com](http://www.lobepro.com) | 912-466-0304 | 888-997-PUMP

# S8p Pump Curve and Model

## S8p Performance Curve - NBR Lobes\*

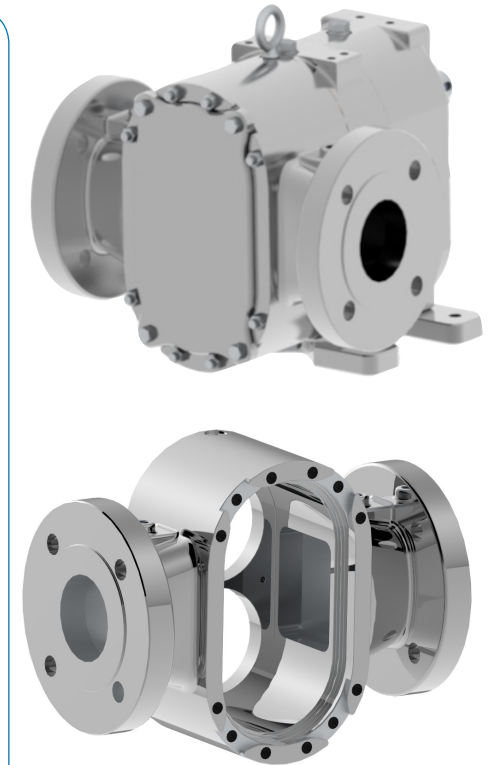
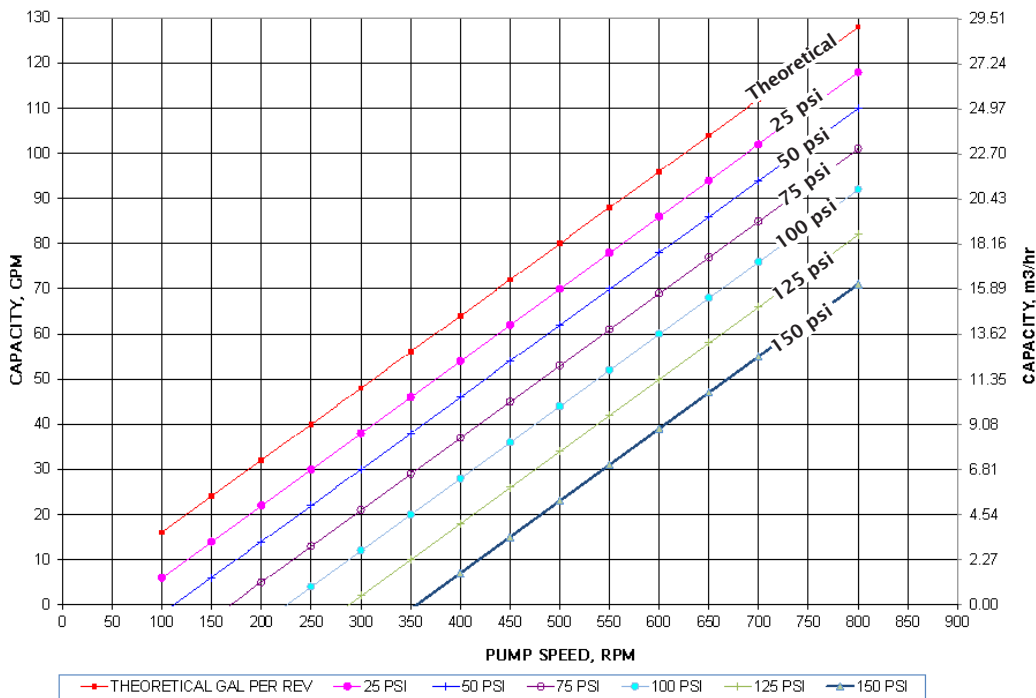
Based on 70°F (21°C) fresh water (1 cp) at Sea Level.  
Output will increase as viscosity of the fluid increases from 1.



# S16p Pump Curve and Model

## S16p Performance Curve - NBR Lobes\*

Based on 70°F (21°C) fresh water (1 cp) at Sea Level.  
Output will increase as viscosity of the fluid increases from 1.



\*Note: Output from lobes coated with elastomers other than NBR maybe lower. Contact Engineering for further information.