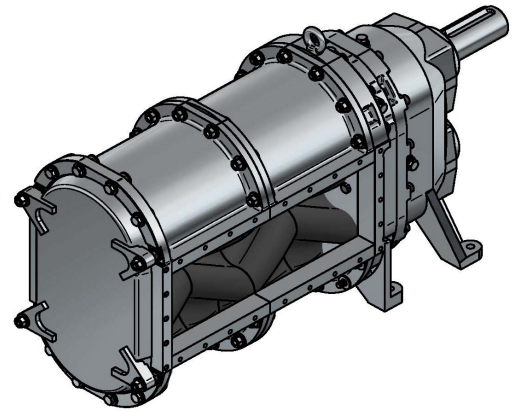




# L531



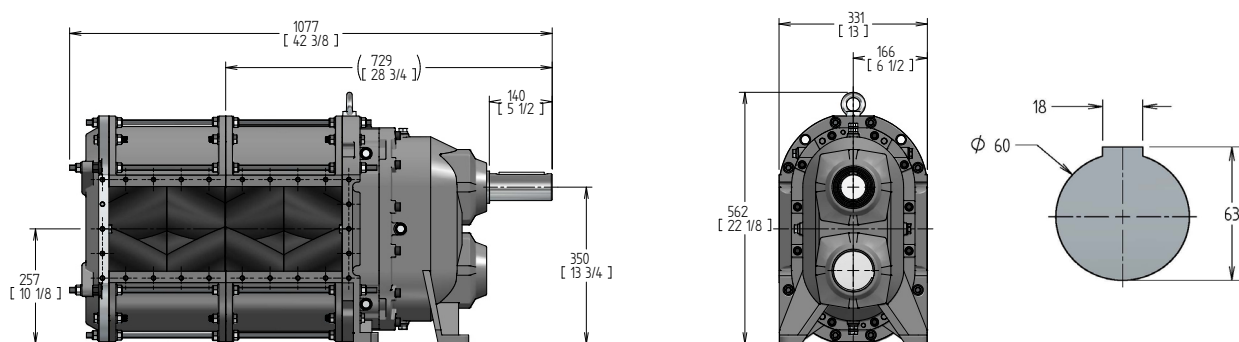
## Positive Displacement Rotary Lobe Pumps

SPECIFICATIONS	US	Metric
Rated Capacity:	0-2,655 gpm	0-603 m <sup>3</sup> /h
Displacement (per 100 revolutions):	531 gal (US)	2,002 L
Maximum Continuous Pressure:	30 psi	2.1 bar
Starting Torque:	3,857 in lbf	436 N m
Rated Speed:	0-500 RPM	0-500 RPM
Shaft Diameter:	2.4"	60 mm
Flange Connection Class:	ANSI 16.5-150#	DN - PN 14
Flange Connection Size:	ANSI 10"	DN 200
Weight:	913 lbs	411 kg
Solids Handling		
Spherical Compressible	3"	76 mm
Spherical Hard*	1/8"	3 mm

\*Larger hard solids will pass through, but may cause damage.

MODEL >	SL531	CL531	DL531
Service	Sludge, Mud and Slurries*	Chemical/Corrosive	Oil, Gas & Abrasives
<b>WETTED PARTS</b>			
<b>Rotary Lobes</b>			
Elastomer	NBR Opt. HNBR, FKM, EPDM or Eng. Rec.	FKM or HNBR Opt. NBR, EPDM or Eng. Rec.	FKM or HNBR Opt. NBR, EPDM or Eng. Rec.
Lobe Profile	Helix	Helix	Helix
Number of lobe wings	4	4	4
Core	Carbon Steel	Carbon Steel	Carbon Steel
<b>Sealing Elastomers</b>			
O-rings	FKM	FKM or Engineer Recommendation	FKM or Engineer Recommendation
Lip seals	FKM or Engineer Recommendation	FKM or Engineer Recommendation	FKM or Engineer Recommendation
<b>Mechanical Seals</b>			
Mechanical Seal	Duronit Opt. Tungsten Carbide, Silicon Carbide, or Eng. Rec.	Silicon Carbide Opt. Tungsten Carbide or Engineer Rec.	Tungsten Carbide Opt. Silicon Carbide or Engineer Rec.
Seal Holders	Carbon Steel with Corrosion resistant coating	Stainless Steel Type 316	Duplex Stainless Steel
<b>Wear Plates</b>			
	AR500 Steel (Brinell 500)	Duplex Stainless Steel	Duplex Stainless Steel
<b>Housing Segments</b>			
	ASTM A48 Grey Iron rust primed	Duplex Stainless Steel	Duplex Stainless Steel or Engineer Rec.
<b>Flange Ring</b>			
	ASTM A36 Carbon Steel	Stainless Steel Type 316L	Duplex Stainless Steel
<b>Bolts</b>			
	Carbon Steel ISO 898-I	Stainless Steel A2-A4	Duplex Stainless Steel
<b>Pressure Disc</b>			
	Stainless Steel Type 316L	Stainless Steel Type 316L	Duplex Stainless Steel
<b>LIMITED EXPOSURE PARTS</b>			
<b>Quench /Seal Cooling Chamber</b>			
	ASTM A48 Grey Iron rust primed	ASTM A48 Grey Iron with PTFE / Ceramic Teflon etched on face	ASTM A48 Grey Iron with PTFE / Ceramic Teflon etched on face
<b>Pump Cover</b>			
	ASTM A48 Grey Iron rust primed	CIT coated Grey Iron Opt. DS Stainless Steel	CIT coated Grey Iron Opt. Duplex Stainless Steel
<b>NON-WETTED PARTS</b>			
<b>Gears</b>			
	GMA Class 9 AISI 1045 steel	GMA Class 9 AISI 1045 steel	GMA Class 9 AISI 1045 steel
<b>Gear Housing</b>			
	ASTM A48 Grey Iron rust primed	ASTM A48 Grey Iron rust primed	ASTM A48 Grey Iron rust primed
<b>Shaft</b>			
	AISI 4140 Alloy Steel	AISI 4140 Alloy Steel	AISI 4140 Alloy Steel
<b>PAINTING REQUIREMENTS</b>			
<b>Standard Painting</b>			
	SSPC/SP6 Sandblast Paint LobePro Blue	SSPC/SP6 Sandblast Paint LobePro Silver	SSPC/SP6 Sandblast Paint LobePro Silver

**NOTE:** Listed above are standard pump assemblies; lobe styles and materials subject to recommendation by LobePro Engineering. A wide range of optional materials are available for each model. Consult LobePro for further information. \*Consult Factory for application temperature above 80°C (175°F).

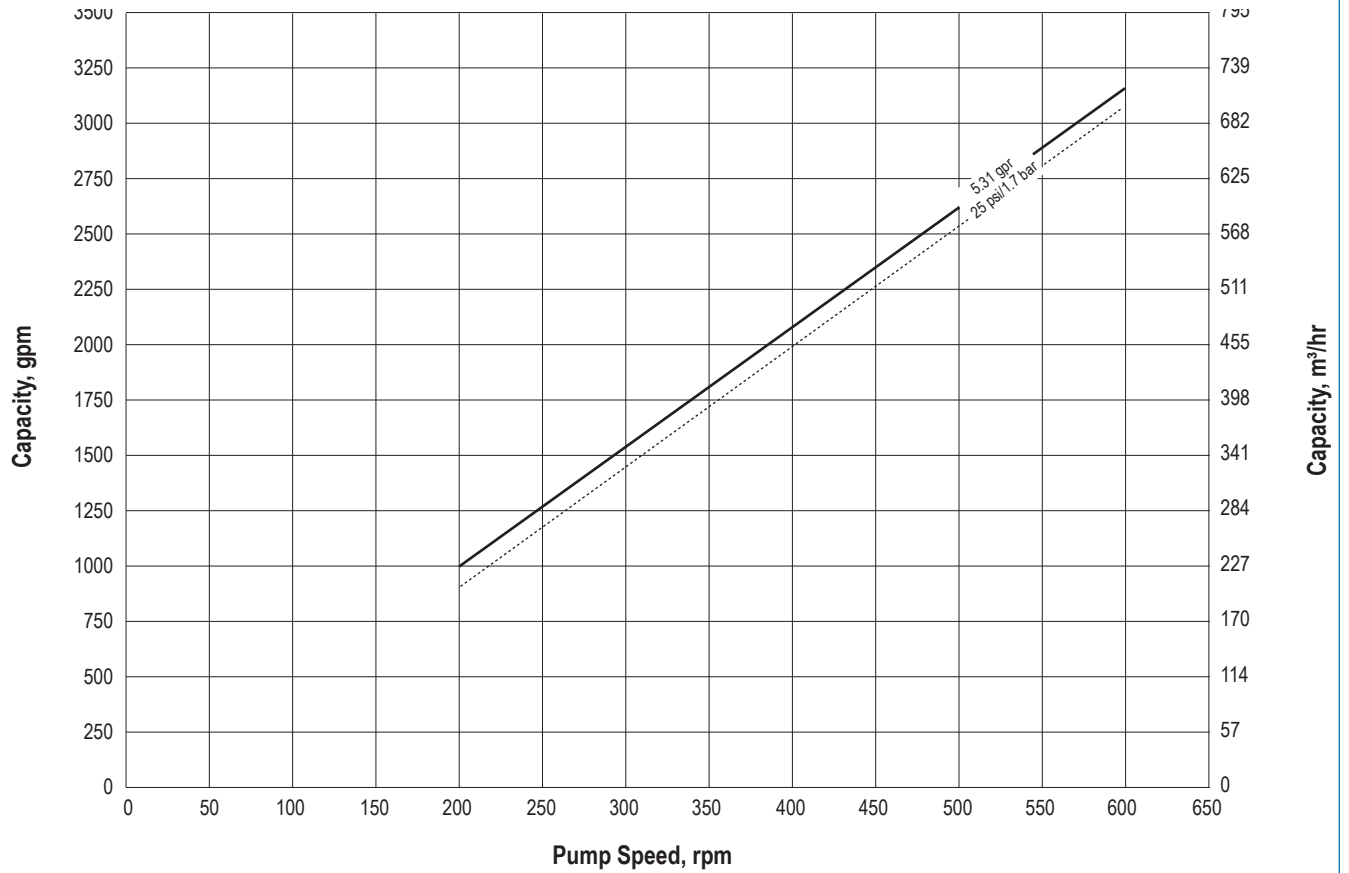


**Section 40-75**

4 September 2020

**L531 CURVES**

**Performance Curve - NBR Lobes\***  
 Based on 70°F (21°C) fresh water (1 cp) at Sea Level.  
 Output will increase as viscosity of the fluid increases from 1.



\*Note: Output from lobes coated with elastomers other than NBR may be lower. Contact Engineering for further information.

**Horsepower Requirements**

