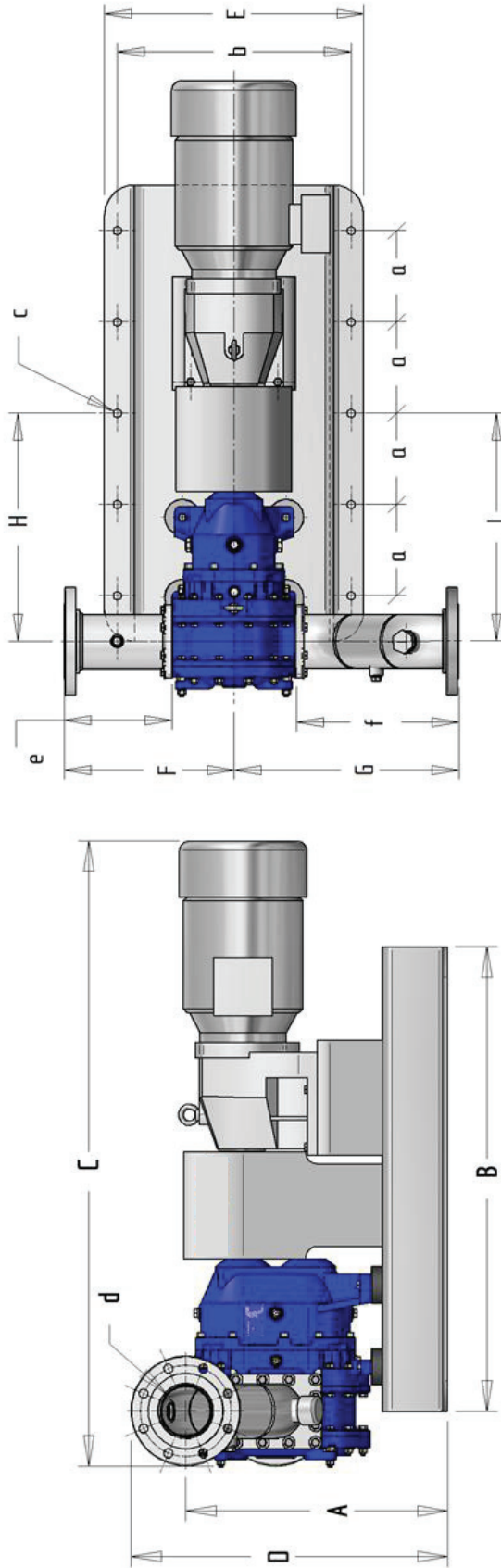


© 2010 LobePro Inc.



TYPICAL IN-LINE SKID BASE ASSEMBLY DIMENSIONS & WEIGHTS

- Notes:
1. Typical dimensions are approximate.
 2. Standard skid arrangement only using standard pump & motor drive.
 3. Reference dimensions only, for proper skid sizing, consult LobePro
 4. Standard dimensions may change without prior notice.

| SERIES | TYPICAL DIMENSIONS, (mm / inches) | | | | | | | | | | | | | | WEIGHT (kg/lbs) | |
|--------|-----------------------------------|-----------|-----------|----------|----------|----------|----------|----------|----------|----------|----------|-----------|----------|------------|--------------------|------------|
| | A | B | C | D | E | F | G | H | I | a | b | c | d | e | | f |
| M34 | 508 / 20 | 915 / 36 | 1220 / 48 | 644 / 25 | 560 / 22 | 254 / 10 | 457 / 18 | 483 / 19 | 483 / 19 | 203 / 8 | 508 / 20 | 15 / 0.59 | ANSI-3" | 203 / 8 | 305 / 12 | 285 / 625 |
| M50 | 560 / 22 | 965 / 38 | 1295 / 51 | 660 / 26 | 560 / 22 | 356 / 14 | 483 / 19 | 483 / 19 | 483 / 19 | 203 / 8 | 508 / 20 | 15 / 0.59 | ANSI-4" | 229 / 9 | 356 / 14 | 320 / 700 |
| M68 | 560 / 22 | 965 / 40 | 1335 / 53 | 660 / 26 | 560 / 22 | 356 / 14 | 483 / 19 | 560 / 22 | 560 / 22 | 203 / 8 | 508 / 20 | 15 / 0.59 | ANSI-4" | 229 / 9 | 356 / 14 | 340 / 750 |
| M100 | 610 / 24 | 1070 / 42 | 1495 / 58 | 660 / 28 | 560 / 22 | 380 / 15 | 610 / 24 | 610 / 24 | 610 / 24 | 230 / 9 | 508 / 20 | 15 / 0.59 | ANSI-6" | 254 / 10 | 457 / 18 | 375 / 825 |
| L133 | 660 / 26 | 1120 / 44 | 1515 / 60 | 762 / 30 | 710 / 28 | 380 / 15 | 675 / 27 | 610 / 24 | 610 / 24 | 230 / 9 | 660 / 26 | 18 / 0.71 | ANSI-6" | 254 / 8 | 508 / 20 | 520 / 1145 |
| L266 | 762 / 30 | 1390 / 55 | 1975 / 78 | 930 / 36 | 710 / 28 | 457 / 18 | 864 / 34 | 700 / 28 | 700 / 28 | 254 / 10 | 660 / 26 | 18 / 0.71 | ANSI-8" | 292 / 11.5 | 597 / 23.5 | 710 / 1565 |
| L266d | 762 / 30 | 1950 / 76 | 2040 / 80 | 930 / 36 | 710 / 28 | 457 / 18 | 864 / 34 | 700 / 28 | 700 / 28 | 381 / 15 | 660 / 26 | 18 / 0.71 | ANSI-8" | 292 / 11.5 | 597 / 23.5 | 900 / 1980 |
| L399 | 762 / 30 | 1455 / 58 | 2100 / 83 | 930 / 38 | 710 / 28 | 508 / 20 | 914 / 36 | 762 / 30 | 762 / 30 | 305 / 12 | 660 / 26 | 18 / 0.71 | ANSI-10" | 343 / 13.5 | 660 / 26 | 845 / 1850 |
| L399d | 762 / 30 | 2015 / 79 | 2186 / 86 | 930 / 38 | 710 / 28 | 560 / 22 | 914 / 36 | 762 / 30 | 762 / 30 | 305 / 12 | 660 / 26 | 18 / 0.71 | ANSI-10" | 394 / 15.5 | 660 / 26 | 885 / 1950 |
| L531d | 762 / 30 | 2150 / 85 | 2320 / 91 | 930 / 38 | 710 / 28 | 610 / 24 | 914 / 36 | 864 / 34 | 864 / 34 | 406 / 16 | 660 / 26 | 18 / 0.71 | ANSI-12" | 445 / 18 | 762 / 30 | 975 / 2150 |



2610 Sidney Lanier Drive
Brunswick, GA, 31525 - USA
Tel. +1 912 466 0304
Fax. +1 912 466 0086
www.lobespro.com