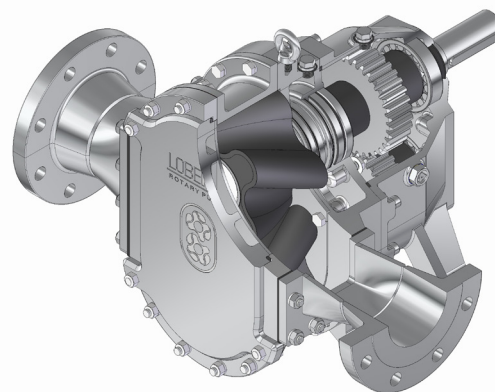




# LOBEPRO

## ROTARY PUMPS

### L399



## Positive Displacement Rotary Lobe Pumps

### SPECIFICATIONS

	US	Metric
<b>Rated Capacity:</b>	0-1,995 gpm	0-453 m <sup>3</sup> /h
<b>Displacement (per 100 revolutions):</b>	399 gal (US)	1,504 L
<b>Working Pressure:</b>	40 psi	2.8 bar
<b>Max. Pressure:</b>	50 psi	3.5 bar
<b>Starting Torque:</b>	3,857 in lbf	436 N m
<b>Rated Speed:</b>	0-500 RPM**	0-500 RPM**
<b>Shaft Diameter:</b>	2.5"	63 mm
<b>Flange Connection</b>	ANSI 10"	DN 200
<b>Weight:</b>	737 lbs	335 kg
<b>Solids Handling</b>		
Spherical Compressible	3"	76 mm
Spherical Hard*	1/8"	3 mm

\* Larger hard solids will pass through but may cause damage.

### MODEL >

### GL399

### SL399

### CL399

### Service

### General Use

### Sludge, Mud and Slurries

### Chemical/Corrosive

#### Rotary Lobes

Elastomer  
Lobe Profile  
Number of lobe wings  
Core

NBR  
Helix  
4  
ASTM A48

NBR  
Helix  
4  
ASTM A48

FKM/Viton  
Helix  
4  
ASTM A48

#### Sealing

O-rings  
Oil seals

NBR  
NBR Option HNBR

NBR  
NBR Option HNBR

FKM/Viton  
FKM/Viton

#### Cartridge Seals

Mechanical Seal  
Seal Holders

Duronit  
Mild Steel coated with Electroless Nickel

Duronit  
Mild Steel coated with Electroless Nickel

Silicon Carbide  
Stainless Steel 316

#### Housing Segments\*\*

Medium touched

Class 30 Grey Iron

AGI-600 Austempered Grey Iron

Stainless Steel 316

#### Wear Plates

Medium touched

A36 Steel

AR500 Steel (Brinell 500)

Stainless Steel 316

#### Shaft

Medium Untouched

AISI 4140 Steel

AISI 4140 Steel

AISI 4140 Steel, Electroless Nickel Coated

#### Quench Chamber

Medium touched

ASTM A48 rust primed

ASTM A48 rust primed

ASTM A48 Electroless Nickel Coated

#### Gear Housing

Casting

ASTM A48

ASTM A48

ASTM A48

#### Bolts

Medium touched

Steel ASTM F568/ISO 898/1

Steel ASTM F568/ISO 898/1

Stainless Steel DIN 931 A2-A4

#### Bolts- Strain Bolt

Medium untouched

ASTM A574M-12.9 Zinc Plated

ASTM A574M-12.9 Zinc Plated

ASTM A574M-12.9 Electroless Nickel coated

#### Gears

Medium untouched

AGMA Class 9 SAE 1045 steel

AGMA Class 9 SAE 1045 steel

AGMA Class 9 SAE 1045 steel

#### Pressure Disc

Medium touched

A36 Steel

A36 Steel

Stainless Steel 316

#### Bolt Circle

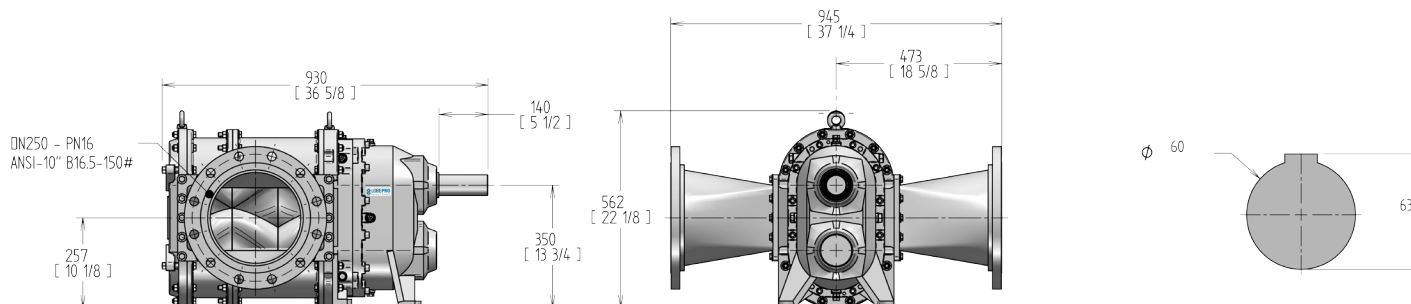
Medium touched

A36 Steel

A36 Steel

Stainless Steel 316

**NOTE:** A wide range of optional materials are available for each model. Above specs are for standard builds. Consult Factory for other variations.

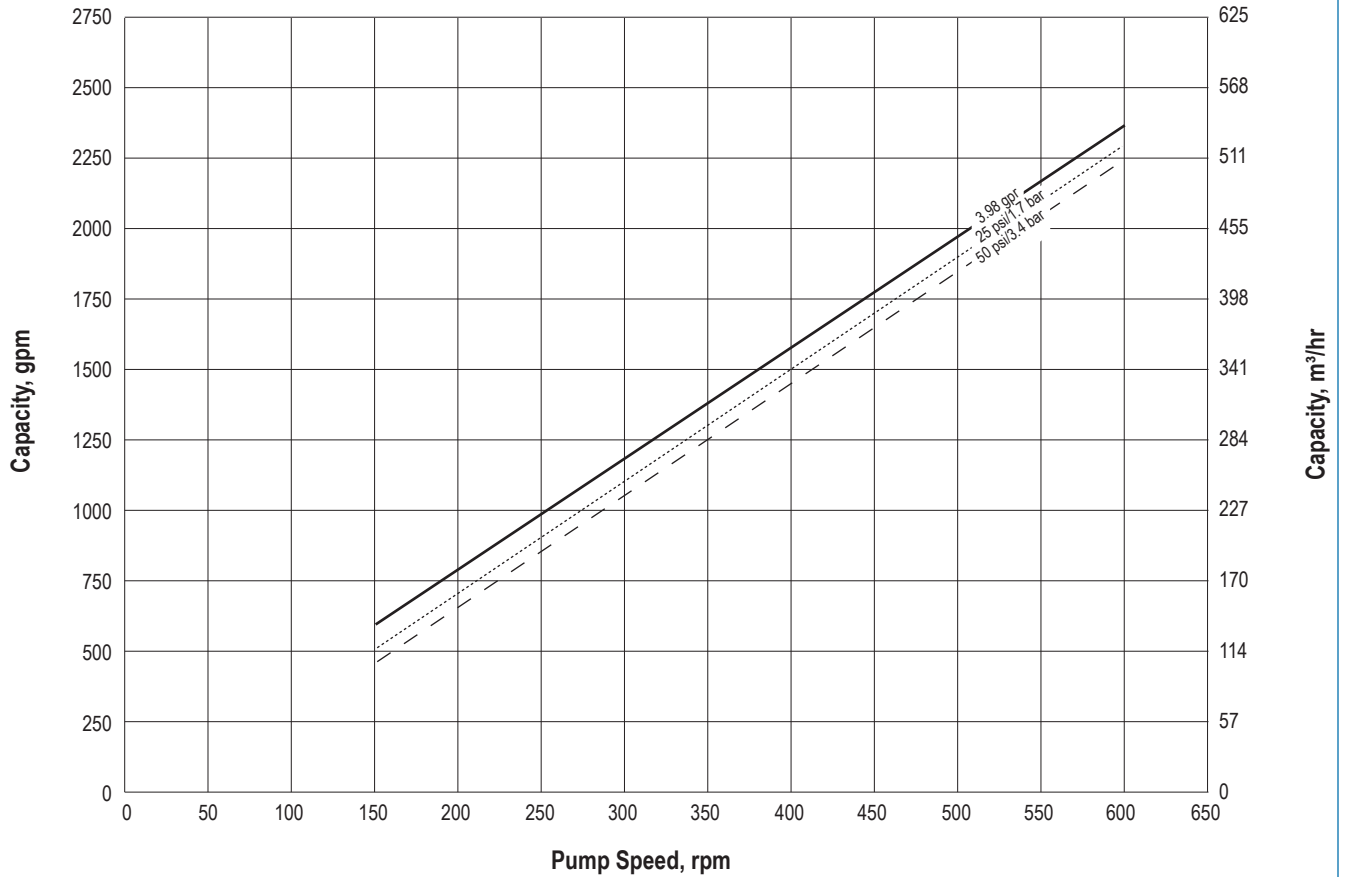


**Section 40-60**

29 August 2011

**L399 CURVES**

**Performance Curve**



**Horsepower Requirements**

